

# ECLIPSE II

## Ex n WELL-GLASS

**ATEX CATEGORY 3  
ZONE 2 APPLICATIONS**

The Eclipse II is a well-glass luminaire suitable for high pressure discharge lamps of up to 400W.

It has a painted lightweight corrosion resistant cast aluminium body and heat resistant glass construction with stainless steel fasteners. It has been tested to IP65 and is suitable for use in harsh environments. The protection is Ex nA R, incorporating a restricted breathing lamp chamber and a non-sparking control gear and terminal housing. This design removes the need for special cable or cable glands. The lamp glass has a screwed thread for quick access. The control gear housing hinges on the mounting and termination cover and is held in position by a single screw barrel nut. The single screw barrel nut permits easy access and closure of the luminaire during installation and should maintenance be required. There is a range of wall, surface and stanchion mountings which may be integrated into the design. An enclosed reflector for Highbay applications is also available. A range of external reflectors is available to direct light efficiently to where it is required.

### Standard Specification

Type of Protection:	<b>Ex nA nR(Non Sparking Restricted Breathing)</b>
ATEX Classification:	<b>Group II Category 3G</b>
Area Classification:	<b>Zone 2 areas to EN 60079-10with installation to EN 60079-14</b>
Apparatus Standard:	<b>EN 60079-15</b>
Certificate:	<b>Type Examination Certificate Baseefa04ATEX0393X</b>
Coding:	<b>⊕ II 3 G EEx nA R II (refer to table for T class and ambient)</b>
Enclosure:	<b>Painted aluminium body with glass lens. Silicone rubber gasket. Single stainless steel barrel nut fastener.</b>
Entry:	<b>Up to 4 x M20 cable entries</b>
Termination:	<b>3 core 6mm<sup>2</sup> max. With looping.</b>
Installation:	<b>Ceiling mounting</b>
Lampholder:	<b>E27 or E40</b>
Lamp Type:	<b>HPS, Metal halide, Mercury vapour or QL.</b>
Control Gear:	<b>Internal copper/iron ballast with ignitor and PFC correction capacitors. Electronic HF for QL.</b>
Relamping:	<b>Access via restricted breathing lamp chamber</b>
Burning Position:	<b>Up to 25° off vertical</b>
Ingress Protection:	<b>IP65 to EN 60529</b>
Electrical Supply:	<b>220, 230, 240V 50Hz (50, 80, 100 &amp; 125W) 220, 230, 240, 254V 50Hz (70, 150, 250 &amp; 400W)</b>



### Features

**Easy access for wiring and control gear**

**Corrosion resistant**

**Unrestricted breathing gear enclosure removes the need for special glands or cable**

**Excellent light distribution**

**Suitable for a wide range of ambient temperatures from -45°C to +55°C, dependant on lamp type and wattage**

**Gost approved**



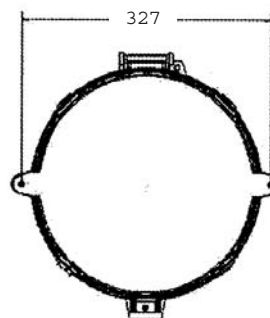
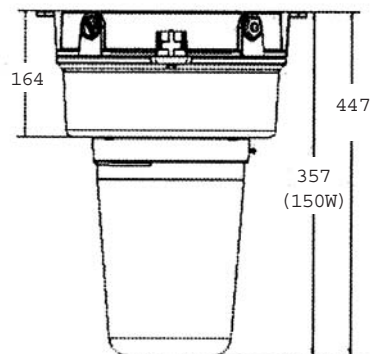
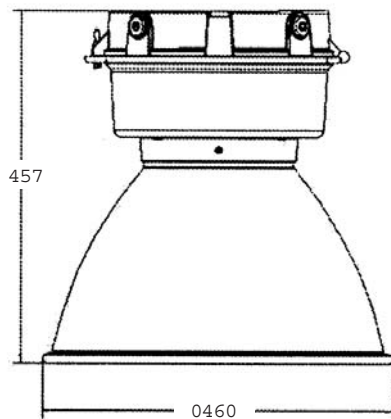
United Kingdom	Tel: +44 (0) 141 882 5555	Fax: +44 (0) 141 883 3704	Email: info@chalmit.com
Benelux	Tel: +31 (0)302 467 132	Fax: +31 (0) 302 467 133	Email: john.van.straalen@planet.nl
Abu Dhabi	Tel: +971 2621 3496	Fax: +971 2631 2152	Email: rwood@emirates.net.ae
Dubai	Tel: +971 4334 2823	Fax: +971 4334 7974	Email: albertmf@emirates.net.ae
Singapore	Tel: +65 6282 2242	Fax: +65 6284 4244	Email: chalmits@singnet.com.sg

For the latest product information - [www.chalmit.com](http://www.chalmit.com)

Std. Cat No.	Wattage	Lamp	Lampholder	T Class	Ambient °C	Weight
EC2N/050/HS	50W	HPS	E27	T4	55	7.5kg
EC2N/070/MS	70W	HPS/Metal Halide	E27	T4	55	8.0kg
EC2N/100/HS	100W	HPS	E40	T4	55	9.0kg
EC2N/150/MS	150W	HPS/Metal Halide	E40	T4	55	11.0kg
EC2N/250/MS	250W	HPS/Metal Halide	E40	T4	50	15.0kg
EC2N/400/MS	400W	HPS/Metal Halide	E40	T3	45	15.5kg
EC2N/080/MV	80W	Mercury Vapour	E27	T3	45	7.5kg
EC2N/125/MV	125W	Mercury Vapour	E27	T3	45	8.0kg
EC2N/250/MV	250W	Mercury Vapour	E40	T3	40	15.0kg
EC2N/400/MV	400W	Mercury Vapour	E40	T3	35	15.5kg
EC2N/085/QL	85W	QL	QL	T4	40	8.2kg

### Options - Suffix to Catalogue No.

/60	60Hz
/WM	Wall mounted version
/ST	Stanchion mounted version
/PE	Pendant mounted version
/TI	Timed cut out ignitor
/D	Zone 22 Dust applications
/ER	Exclosed spun reflector
/R	Prismatic Refractor



### Accessories (Should be ordered separately)

### Catalogue Order Code

Wire Guard for low wattage glass globe (Up to 150W)	E0850-0042
Wire Guard for high wattage glass globe (250 & 400W)	E0850-0044
Wire Guard for Enclosed Refractor	E0850-0043
Dome Reflector	SEC20-0001
30° Angled Reflector	SEC20-0002



United Kingdom	Tel: +44 (0) 141 882 5555	Fax: +44 (0) 141 883 3704	Email: info@chalmit.com
Benelux	Tel: +31 (0) 302 467 132	Fax: +31 (0) 302 467 133	Email: john.van.straalen@planet.nl
Abu Dhabi	Tel: +971 2621 3496	Fax: +971 2631 2152	Email: rwood@emirates.net.ae
Dubai	Tel: +971 4334 2823	Fax: +971 4334 7974	Email: albertmf@emirates.net.ae
Singapore	Tel: +65 6282 2242	Fax: +65 6284 4244	Email: chalmits@singnet.com.sg

For the latest product information - [www.chalmit.com](http://www.chalmit.com)