

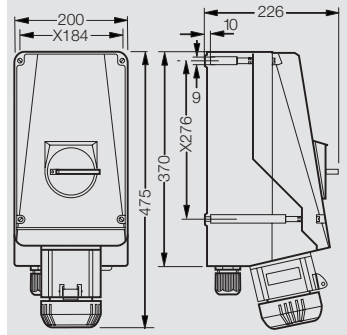
Wall socket

Plug

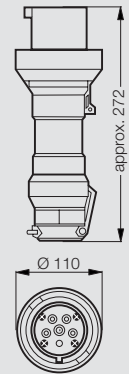
5.22 **EX - PLUGS AND SOCKETS**
| 63 A 4- and 5-pole up to 690 V |

| Technical data | |
|--|---|
| Ex-plugs and sockets accd. to IEC 60309-1/2 up to 690 V | |
| Marking to 94/9/EC | Ⓔ II 2 G Ⓔ II 2 D T60 °C |
| Type of protection | EEx de IIC T6 |
| EC-Type Examination Certificate | PTB 00 ATEX 1070 |
| Degree of protection to EN 60529 | IP 66 |
| Enclosure material | Wall socket: Glass-fibre reinforced polyester Plug: polyamide |
| Rated voltage | up to 690 V~ |
| Rated current | up to 63 A |
| Frequency | 50/60 Hz |
| Switching capacity AC-3 | 690 V/63 A |
| Back-up fuse, max. | without therm. protection: 63 A with therm. protection: 80 A (rated current 63 A set to) |
| Cable entries | Wall socket: 1 x M50 Ø 21 - 35 mm, 1 x M50 Ex-screw plug plastic or 2 x metal thread M40 with Ex-screw plug plastic Plug: Ø 19 - 28 mm |
| Connecting terminals | Wall socket: 2 x 4 - 25 mm ² with cable lug ¹⁾ 1 x 35 mm ² Plug: 1 x 4 - 16 mm ² |

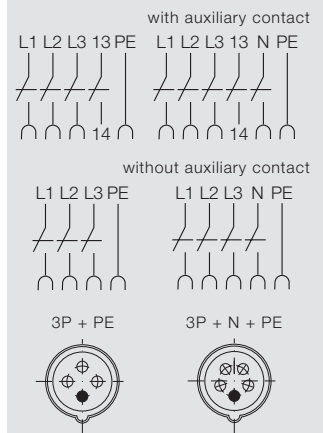
¹⁾ use delivered cable lugs



Wall socket

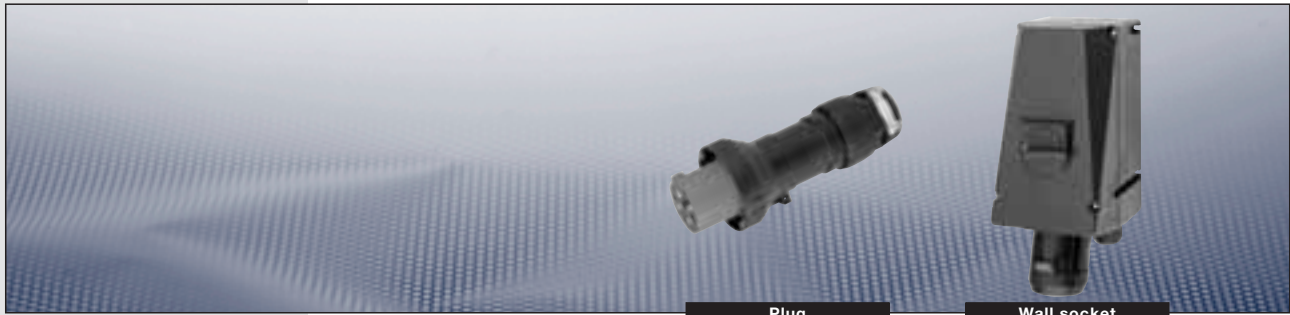


Plug



Dimensions in mm

- 1
- 2
- 3
- 4
- 5
- 6
- 7
- 8
- 9



Plug

Wall socket

EX - PLUGS AND SOCKETS

5.23

| 63 A 4- and 5-pole up to 690 V |

Ordering details type 63 A 4-pole

| Voltage | h | Type | Aux. contact entry | Cable | Weight approx. | Order No. |
|-----------|---|-------------|--------------------|-------|----------------|---------------------------|
| 200-250 V | | Wall socket | no | KU | 8.1 kg | GHG 514 4409 R0001 |
| | | Wall socket | no | ME | 8.2 kg | GHG 514 4409 R3001 |
| | | Plug | | | 0.75 kg | GHG 514 7409 R0001 |
| 380-415 V | | Wall socket | no | KU | 8.1 kg | GHG 514 4406 R0001 |
| | | Wall socket | no | ME | 8.2 kg | GHG 514 4406 R3001 |
| | | Wall socket | yes | KH | 8.2 kg | GHG 514 4406 R0501 |
| | | Plug | | | 0.75 kg | GHG 514 7406 R0001 |
| 480-500 V | | Wall socket | no | KU | 8.1 kg | GHG 514 4407 R0001 |
| | | Wall socket | no | ME | 8.2 kg | GHG 514 4407 R3001 |
| | | Wall socket | yes | KH | 8.2 kg | GHG 514 4407 R0504 |
| | | Plug | | | 0.75 kg | GHG 514 7407 R0001 |
| 600-690 V | | Wall socket | no | KU | 8.1 kg | GHG 514 4405 R0001 |
| | | Wall socket | no | ME | 8.1 kg | GHG 514 4405 R3001 |
| | | Wall socket | yes | KH | 8.2 kg | GHG 514 4405 R0501 |
| | | Plug | | | 0.75 kg | GHG 514 7405 R0001 |

Ordering details type 63 A 5-pole

| Voltage | h | Type | Aux. contact entry | Cable | Weight approx. | Order No. |
|-----------|---|-------------|--------------------|-------|----------------|---------------------------|
| 200-250 V | | Wall socket | no | KU | 8.1 kg | GHG 514 4506 R0001 |
| 380-415 V | | Wall socket | no | ME | 8.1 kg | GHG 514 4506 R3001 |
| | | Wall socket | yes | KH | 8.2 kg | GHG 514 4506 R0501 |
| | | Plug | | | 0.75 kg | GHG 514 7506 R0001 |

Other voltage ranges and versions available on request

KU = 1 x plastic cable glands M50 Ø 21-35 mm, 1 x M50 Ex-screw plug plastic

KH = 1 x plastic cable glands M50 Ø 21-35 mm,

1 x M25 Ø 8-17 mm with Ex-blanking plug, with auxiliary contact, 1 NO

ME = 2 x metal thread M40 with Ex-screw plug plastic

Accessories see page 5.62 pp.

