

LV 63 A power sockets and plugs- 200 to 690 V - 50/60 Hz or 60 Hz

increased safety



Wall mounting sockets
0968 45



Plug 0968 85

63 A power sockets and plugs

- Safety device incorporated to accept ATX plugs only
- High impact resistance polyester socket. Polyamide cover and plug
- 3-pole or 4-pole flameproof cut-out switch with auxiliary early break contact (2.5 mm² terminals max.)
- Plug locked when power on. Switch handle can be padlocked in "off" position (4 padlocks)
- Insertion and removal of plug only possible when switch is in open (power off) position

63 A wall mounting sockets

- Connection via 35 mm² terminals
- Supplied with 1 x M50 cable gland and 1 x M25 blanking plug for cable \varnothing 28 to 40 mm

200 to 250 V~	Breaking capacity AC ³ (kw)	Weight	Volume	Cat. No.	Pack
3 P + E	15	8	26	0968 42	1
380 to 415 V~					
3 P + E	22	8	26	0968 44	1
3 P + N + E	22	8	26	0968 45	1
440 to 460 V ~ (1)					
3 P + E	22	8	26	0968 48	1
3 P + N + E	22	8	26	0968 49	1
480 to 500 V ~					
3 P + E	18	8	26	0968 46	1
3 P + N + E	18	8	26	0968 47	1
600 to 690 V ~					
3 P + E	16	8	26	0968 51	1
3 P + N + E	16	8	26	0968 52	1

63 A plugs

200 to 250 V~	Weight	Volume	Cat. No.	Pack
3 P + E	1	7	0968 82	1
380 to 415 V~				
3 P + E	1	7	0968 84	1
3 P + N + E	1	7	0968 85	1
440 to 460 V ~ (1)				
3 P + E	1	7	0968 88	1
3 P + N + E	1	7	0968 89	1
480 to 500 V ~				
3 P + E	1	7	0968 86	1
3 P + N + E	1	7	0968 87	1
600 to 690 V ~				
3 P + E	1	7	0968 91	1
3 P + N + E	1	7	0968 92	1

(1) 60 Hz

Part number in bold : fast moving references

Zone 1 & 2 - 21 & 22	ATEX	IEC	EC	II 2 G/D
EEx ed IIC	T6 or T5	T = 75°C	IP66	IK10

TECHNICAL DATA

Zones :

- 1 and 2, and 21- 22

Classification :

- According to CENELEC
- Conforming to ATEX 94/9 EC Directive and standards EN 50014-18-19
- EC 0081 II 2 G for gas EEx ed IIC
T6 for Ta + 40°C T5 for + 40°C < Ta + 55°C
- EC 0081 II 2 D - T = + 75°C for dust
- According to IEC
- Conforming to standards IEC 60079-0/1/7 Ex ed IIC
T6 for Ta + 40°C T5 for + 40°C < Ta + 55°C
- DIPA 21 TA = + 75°C for dust

Approvals :

- Approved type PC 63X
- CENELEC LCIE 99 ATEX 6004
- IEC LCIE Ex 99.004
- **CE** declaration of conformity 50288
- Conforming to standards EN 60309-1 and EN 60309-2
- Conforming to standards EN 50281-1-1 and IEC 61241-1-1 "combustible dust"

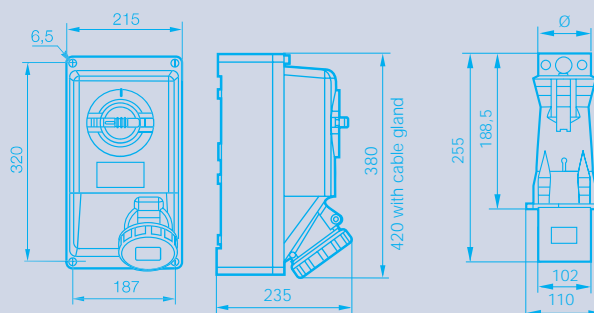
Protection index :

- IP66 according to EN 60529 and IEC 60529
- Impact resistance IK10 according to EN 50102

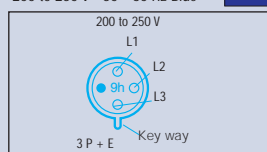
Operating temperature :

- 30°C to + 55°C

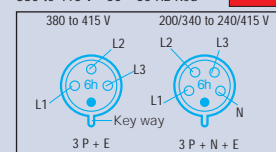
Dimensions (mm) :



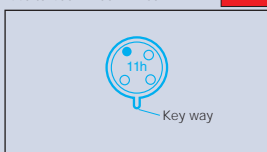
200 to 250 V~ 50 - 60 Hz Blue



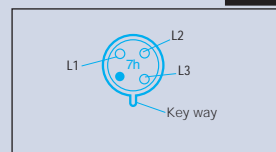
380 to 415 V~ 50 - 60 Hz Red



440 to 460 V~ 60 Hz Red



480 to 500 V~ 50-60 Hz Black



Product features/customer benefits

- Rotary switch handle : simple operation for high amperage
- AC3 flameproof switch : durability, electrical performance
- Padlockable switch handle (4 padlocks) : safe operation

Data sheet available on request